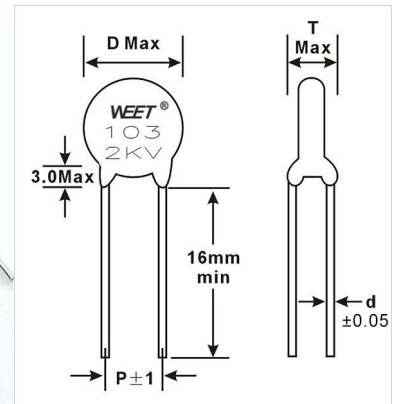
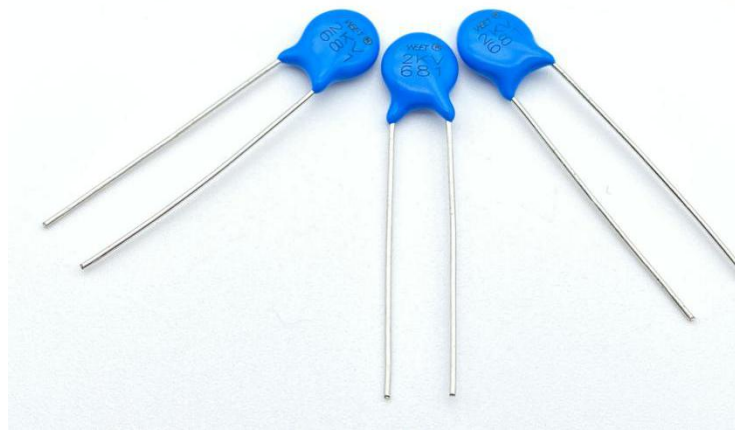


**FEATURES**

- Use for coupling, and by-pass circuit
- Stable and high reliability products.



**SPECIFICATIONS**

<b>Operating Condition</b>	-25°C~ +85°C
<b>Rated Working Voltage</b>	1KV – 15KV DC
<b>Capacitance Range</b>	100pF – 10,000pF
<b>Test Voltage</b>	UR≤500V, U=2.5UR; UR>500V≤6KV, U=1.5UR+500V; UR>6KV≤15KV, U=1.5UR
<b>Dissipation Factor (tan δ)</b>	SL/YL/NPO:≤0.5% max Y5P/Y5U/Y5V/Y5T:D.F.≤2.5% max Y5R:D.F.≤0.2% max
<b>Insulation Resistance</b>	YL/SL/NPO:≥10GΩ Y5R/Y5P/Y5U/Y5V/Y5T: CR≤25nF,≥4000MΩ CR>25nF, Rj•CR≥100s

**High Voltage Ceramic Radial Type Disc Capacitors Applications**

- DC-DC converters, Voltage multipliers.
- Radio and TV receiver, Modems, Interfaces, TV and monitors.
- Other electrical appliances where high voltage is present.High voltage power supplies, HV power supplies.
- Electrostatic coating, Arc spray and sputtering, Electrostatic cleaning power supplies, Ion generator power sources.
- High voltage power supplies for x-ray sources and pulsed lasers: Baggage scanner, Medical x-ray, Industrial laser.

With the development of material, electrode and manufacturing technology, the development of high voltage ceramic capacitor has made great progress and has been widely used. High voltage ceramic capacitor has become one of the indispensable components of high power and high voltage electronic products.

The use of high voltage ceramic capacitors is mainly divided into power supply, power distribution system and power equipment to deal with pulse energy equipment. Because of the special nature of the power system, AC high voltage, high frequency, in the outdoor environment (-40 degrees to +60 degrees), lightning voltage / current, and so on a variety of factors, resulting in high voltage ceramic capacitor has been in a dilemma in the development and production in the harsh environment, requires a capacitor with superior stability, the rate of change small; at the same time, measurement, storage, partial pressure of product requirements of high precision, which is of high voltage ceramic capacitor of this environment is partial discharge, partial discharge is very demanding: PD is zero.

High Voltage Ceramic Capacitors Compact size with low dissipation factor, Low voltage coefficient, Epoxy encapsulated, Up to 15KV DC working voltage. High voltage ceramic capacitors also can be customized according to special requirements, take internal parallel or series design to achieve high voltage, large capacity, high operating frequency, high withstand impulse voltage, ultra-low partial discharge requirements and other requirements can meet the different needs of customers.



RATED	Y5P	Y5U	Y5V	SL	N750	YL	UJ		DIMENSION			
W. V	(±10%)	(±10%, ±20%)	(±20%)	(±10%)	(±10%)	(±10%)	(±10%)	D	P	T	d	
1KV	151~331	--	222	470	100	--	--	6.5	5.0	3.0	0.5	
	471	--	272	560~680	150~330	--	--					
	681	--	332	101	--	--	--					
	102	--	--	--	--	--	--					
	122	821~102 (K)	472	--	--	--	--	7.5				
	--	102	--	--	--	--	--					
	--	122	--	--	--	--	--					
	--	152	--	--	--	--	--					
	--	222	--	--	--	--	--	8.5				
	--	272	682~103	--	--	--	--					
	--	332	--	--	--	--	--					
	--	472	--	--	--	--	--					
	152	--	--	--	--	--	--	9.5				
	222	--	--	--	--	--	--					
	272	--	--	--	--	--	--	11.0				
	332	--	--	--	--	--	--					
	--	103	--	--	--	--	--	12.5				
	472	--	--	--	--	--	--					
2KV	151~331	--	222	560~680	--	101	100	6.5	5.0	3.5	0.5	
	471	--	--	--	--	--	150~330					
	681	102	272	470	--	--	--	7.5				
	--	122	332	--	--	--	--					
	--	152	--	--	--	--	--					
	102	--	--	--	--	--	--	8.0				
	--	821~102 (K)	472	--	--	--	--	8.5				
	--	222	--	--	--	--	--					
	122	--	--	--	--	--	--	9.5				7.5
	152	--	--	--	--	--	--					
	--	272	--	--	--	--	--	10.5				
	--	332	--	--	--	--	--					
	--	472	--	--	--	--	--					
	222	--	--	--	--	--	--	11.0				7.5
	--	--	682~103	--	--	--	--	11.5				
	272	--	--	--	--	--	--	12.5				
	332	--	--	--	--	--	--					



RATED W. V	Y5P	Y5U	Y5V	SL	YL	UJ	DIMENSION						
	(±10%)	(±10%, ±20%)	(+80-20%)	(±10%)	(±10%)	(±10%)	D	P	T	d			
3KV	101	--	--	180~220	680~820	100~150	6.5	7.5	4.0	0.5			
	151~331	--	--	--	--	--							
	471	--	--	--	--	--							
	--	--	102	--	--	--	7.5						
	--	122	222	330~470	--	--							
	--	--	272	--	--	--							
	--	152	332	--	--	--	8.5						
	--	222	--	--	--	--							
	681	821~102 (K)	--	--	--	--				9.0			
	102	102	--	--	--	--							
	--	272	472	--	--	--	9.5						
	122	332	--	--	--	--							
	152	--	--	--	--	--				10.5			
	--	472	--	--	--	--							
	222	--	--	--	--	--	11.5						
--	--	682~103	--	--	--								
272	--	--	--	--	--	13.0							
332	--	--	--	--	--								
--	--	--	--	--	--		13.5						
272	--	--	--	--	--								
332	--	--	--	--	--	14.5							
101	471 (K)	102	--	--	--		6.5	7.5	4.0	0.55			
221	681 (K)	--	--	--	--								
331	--	--	--	--	--								
--	--	152	--	--	--	7.0							
471	--	--	--	--	--								
--	102	222	--	--	--					7.5			
681	--	--	--	--	--								
--	152	332	--	--	--	8.0							
--	222	--	--	--	--								
--	--	472	--	--	--					8.5			
102	--	--	--	--	--								
--	--	682	--	--	--	9.5							
--	--	103	--	--	--								
--	--	--	--	--	--					10.0			
101	331 (K)	102	--	--	--								
221	--	--	--	--	--	6.5	10.0	5.0	0.55				
331	681 (K)	152	--	--	--								
--	102	--	--	--	--								
471	--	222	--	--	--				7.5				
--	471 (K)	--	--	--	--								
681	--	--	--	--	--					8.5			
--	152	332	--	--	--								
--	222	--	--	--	--				9.5				
--	--	--	--	--	--								
--	--	472	--	--	--					10.5			
102	--	--	--	--	--								
--	--	--	--	--	--				11.0				
101	331 (K)	102	--	--	--					6.5	10.0	5.0	0.6
221	471 (K)	--	--	--	--								
331	681 (K)	152	--	--	--								
--	102	--	--	--	--	7.5							
471	--	--	--	--	--								
--	--	222	--	--	--		8.5						
681	--	--	--	--	--								
--	152	--	--	--	--	9.5							
--	--	332	--	--	--								
--	--	--	--	--	--		10.5						
102	222	--	--	--	--								
--	--	472	--	--	--	11.0							
101	331 (K)	102	--	--	--		6.5	10.0	5.0				0.55
221	471 (K)	--	--	--	--								
331	681 (K)	152	--	--	--								
--	102	--	--	--	--	7.5							
471	--	--	--	--	--								
--	--	222	--	--	--					8.5			
681	--	--	--	--	--								
--	152	--	--	--	--	9.5							
--	--	332	--	--	--								
--	--	--	--	--	--					10.5			
102	222	--	--	--	--								
--	--	472	--	--	--	11.5							
101	331 (K)	102	--	--	--					6.5	10.0	5.0	0.6
221	471 (K)	--	--	--	--								
331	681 (K)	152	--	--	--								
--	102	--	--	--	--	7.5							
471	--	--	--	--	--								
--	--	222	--	--	--		8.5						
681	--	--	--	--	--								
--	152	--	--	--	--	9.5							
--	--	332	--	--	--								
--	--	--	--	--	--		10.5						
102	222	--	--	--	--								
--	--	472	--	--	--	11.5							
101	331 (K)	102	--	--	--		6.5	10.0	5.0				0.6
221	471 (K)	--	--	--	--								
331	681 (K)	152	--	--	--								
--	102	--	--	--	--	7.5							
471	--	--	--	--	--								
--	--	222	--	--	--					8.5			
681	--	--	--	--	--								
--	152	--	--	--	--	9.5							
--	--	332	--	--	--								
--	--	--	--	--	--					10.5			
102	222	--	--	--	--								
--	--	472	--	--	--	11.5							

**Note: Other Values are available on request. WEET is capable of doing custom service for you.**



**PN Structure**

WCA	3A	K	102	B	B	065	000	A
Series	Voltage	Tolerance	Capacitance	Pitch	Material/Temp.Char	Size	Lead Length	Packing
	1	2	3	4	5	6	7	7

**1. Voltage**

3A	3D	3F	3G	3H	3I	4A	4C	A3	A2	A4
1000V	2000V	3000V	4000V	5000V	6000V	10KV	15KV	250VAC	300VAC	400VAC

**2. Tolerance**

J	K	M	Z
±5.0%	±10%	±20%	+80-20%

**3. Capacitance**

100	150	470	101	102	103
10pF	15pF	47pF	100pF	1000pF	0.01uF

**4. Pitch Size:**

B	C	D
5.0	7.5	10.0

**5. Temp. Char.**

B	E	F	J	S	T	Y	7
Y5P	Y5U	Y5V	UJ	SL	Y5T	YL	N750

**6. Diameter**

060	065	070	075	080	085	095	100	105	110	115	120
6.0mm	6.5mm	7.0mm	7.5mm	8.0mm	8.5mm	9.5mm	10.0mm	10.5mm	11.0mm	11.5mm	12.0mm

**7. Lead Length**

000	035	040	045	050	060
Standard	3.5	4.0	4.5	5.0	6.0

**8. Packing**

A	B
Ammo	Bulk

