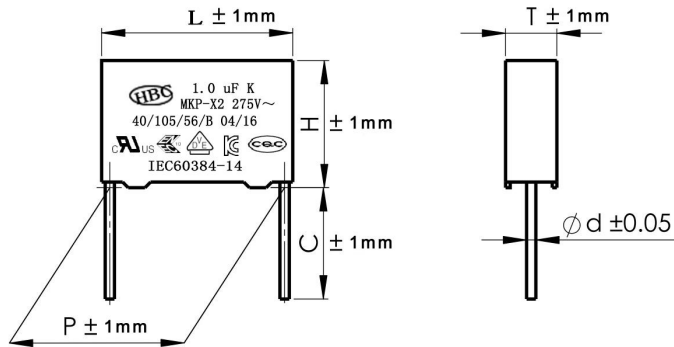


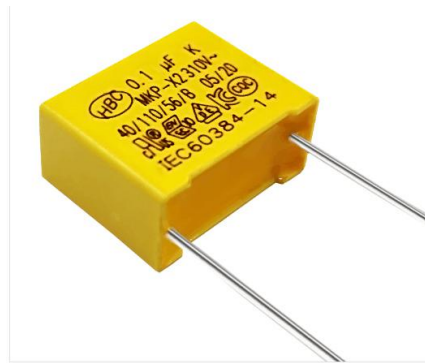
## FEATURES

- Non-inductive, (UL940V-0) plastic case sealed with epoxy resin.
- Provides interference suppression with CQC, VDE, ENEC, KC and UL approvals.
- Used in across-the-line, interference suppression circuit

## DRAWING (mm)



## PICTURE



## SPECIFICATIONS

Operating Temperature	-40°C ~ +110°C
Voltage Rating	310VAC
Capacitance Range	0.0047 ~ 10.0µF
Capacitance Tolerance	±10% (K) standard,
Package	Bulk, Ammo Tape Package
Insulation Resistance	CR ≤ 0.33 µF, I.R ≥ 15,000MΩ CR > 0.33 µF, I.R ≥ 5,000S (20°C, 100V, 1min)
Dissipation Factor	0.0010µF ≤ CR ≤ 0.47µF ≤ 0.1% (1KHz, 20°C) 0.47µF ≤ CR ≤ 1.0µF ≤ 0.2% (1KHz, 20°C) 1.0µF ≤ CR ≤ 10µF ≤ 0.3% (1KHz, 20°C)
Voltage Proof	4.3UR DC / 5s



**SIZE TABLE (mm)**

CAP	L±1.0	H±1.0	T±1.0	P±1.0	d Ø ±0.05	CAP	L±1.0	H±1.0	T±1.0	P±1.0	d Ø ±0.05	CAP	L±1.0	H±1.0	T±1.0	P±1.0	d Ø ±0.05
<b>0.0047</b>	13	9	4	10	0.6	<b>0.047</b>	13	11	5	10	0.6	<b>0.15</b>	18	14.5	8.5	15	0.8
<b>0.0047</b>	13	11	5	10	0.6	<b>0.047</b>	13	12	6	10	0.6	<b>0.15</b>	26.5	15	6	22.5	0.8
<b>0.0056</b>	13	9	4	10	0.6	<b>0.047</b>	18	11	5	15	0.8	<b>0.15</b>	26.5	16.5	7	22.5	0.8
<b>0.0056</b>	13	11	5	10	0.6	<b>0.056</b>	13	11	5	10	0.6	<b>0.18</b>	13	13	7	10	0.6
<b>0.0068</b>	13	9	4	10	0.6	<b>0.056</b>	13	12	6	10	0.6	<b>0.18</b>	13	14	8	10	0.6
<b>0.0068</b>	13	11	5	10	0.6	<b>0.056</b>	13	13	7	10	0.6	<b>0.18</b>	13	16.5	9	10	0.6
<b>0.0082</b>	13	9	4	10	0.6	<b>0.056</b>	13	15	8	10	0.6	<b>0.18</b>	18	12	6	15	0.8
<b>0.0082</b>	13	11	5	10	0.6	<b>0.056</b>	18	11	5	15	0.8	<b>0.18</b>	18	13.5	7.5	15	0.8
<b>0.01</b>	13	9	4	10	0.6	<b>0.068</b>	12	11	5	10	0.6	<b>0.18</b>	18	14.5	8.5	15	0.8
<b>0.01</b>	13	11	5	10	0.6	<b>0.068</b>	13	12	6	10	0.6	<b>0.18</b>	18	15.5	9.5	15	0.8
<b>0.01</b>	18	11	5	15	0.8	<b>0.068</b>	13	15	8	10	0.6	<b>0.18</b>	26.5	15	6	22.5	0.8
<b>0.012</b>	13	9	4	10	0.6	<b>0.068</b>	18	11	5	15	0.8	<b>0.2</b>	18	14.5	8.5	15	0.8
<b>0.012</b>	13	11	5	10	0.6	<b>0.082</b>	12	11	5	10	0.6	<b>0.2</b>	18	15.5	9.5	15	0.8
<b>0.012</b>	18	11	5	15	0.8	<b>0.082</b>	13	12	6	10	0.6	<b>0.2</b>	26.5	15	6	22.5	0.8
<b>0.015</b>	13	9	4	10	0.6	<b>0.082</b>	13	13	7	10	0.6	<b>0.2</b>	26.5	16.5	7	22.5	0.8
<b>0.015</b>	13	11	5	10	0.6	<b>0.082</b>	13	15	8	10	0.6	<b>0.22</b>	13	12	6	10	0.6
<b>0.015</b>	18	11	5	15	0.8	<b>0.082</b>	18	11	5	15	0.8	<b>0.22</b>	13	14	8	10	0.6
<b>0.018</b>	13	9	4	10	0.6	<b>0.1</b>	13	11	5	10	0.6	<b>0.22</b>	13	15	8	10	0.6
<b>0.018</b>	13	11	5	10	0.6	<b>0.1</b>	13	12	6	10	0.6	<b>0.22</b>	13	16.5	9	10	0.6
<b>0.018</b>	18	11	5	15	0.8	<b>0.1</b>	13	13	7	10	0.6	<b>0.22</b>	18	12	6	15	0.8
<b>0.02</b>	13	9	4	10	0.6	<b>0.1</b>	13	15	8	10	0.6	<b>0.22</b>	18	13	7	15	0.8
<b>0.02</b>	13	11	5	10	0.6	<b>0.1</b>	18	11	5	15	0.8	<b>0.22</b>	18	13.5	7.5	15	0.8
<b>0.02</b>	18	11	5	15	0.8	<b>0.1</b>	18	12	6	15	0.8	<b>0.22</b>	18	14.5	8.5	15	0.8
<b>0.022</b>	13	9	4	10	0.6	<b>0.1</b>	18	13.5	7.5	15	0.8	<b>0.22</b>	18	15.5	9.5	15	0.8
<b>0.022</b>	13	11	5	10	0.6	<b>0.1</b>	18	14.5	8.5	15	0.8	<b>0.22</b>	26.5	15	6	22.5	0.8
<b>0.022</b>	18	11	5	15	0.8	<b>0.1</b>	26.5	15	6	22.5	0.8	<b>0.22</b>	26.5	16.5	7	22.5	0.8
<b>0.027</b>	13	9	4	10	0.6	<b>0.12</b>	13	12	6	10	0.6	<b>0.27</b>	18	13.5	7.5	15	0.8
<b>0.027</b>	13	11	5	10	0.6	<b>0.12</b>	13	13	7	10	0.6	<b>0.27</b>	18	14.5	8.5	15	0.8
<b>0.027</b>	18	11	5	15	0.8	<b>0.12</b>	18	12	6	15	0.8	<b>0.27</b>	18	16	10	15	0.8
<b>0.033</b>	13	9	4	10	0.6	<b>0.13</b>	18	12	6	15	0.8	<b>0.27</b>	26.5	15	6	22.5	0.8
<b>0.033</b>	13	11	5	10	0.6	<b>0.14</b>	18	12	6	15	0.8	<b>0.27</b>	26.5	16.5	7	22.5	0.8
<b>0.033</b>	18	11	5	15	0.8	<b>0.15</b>	13	12	6	10	0.6	<b>0.33</b>	18	12	6	15	0.8
<b>0.033</b>	18	12	6	15	0.8	<b>0.15</b>	13	13	7	10	0.6	<b>0.33</b>	18	13.5	7.5	15	0.8
<b>0.039</b>	13	11	5	10	0.6	<b>0.15</b>	13	14	8	10	0.6	<b>0.33</b>	18	14.5	8.5	15	0.8
<b>0.039</b>	13	12	6	10	0.6	<b>0.15</b>	18	12	6	15	0.8	<b>0.33</b>	18	15.5	9.5	15	0.8
<b>0.039</b>	18	11	5	15	0.8	<b>0.15</b>	18	13.5	7.5	15	0.8	<b>0.33</b>	18	16	10	15	0.8



**WEE Technology Company Limited**  
ROOM 1405, 14/F, LUCKY CENTRE,  
171 WANCHAI ROAD,  
WANCHAI, HONG KONG  
[www.weetcap.com](http://www.weetcap.com)  
[info@weetcap.com](mailto:info@weetcap.com)

All details in this data sheet are subject to change without notice.  
For more details and updates, please visit our website.



Copyright © 2000 WEE Technology, All rights reserved.

**SIZE TABLE (mm)**

CAP	L±1.0	H±1.0	T±1.0	P±1.0	d Ø ±0.05	CAP	L±1.0	H±1.0	T±1.0	P±1.0	d Ø ±0.05
<b>0.33</b>	26.5	15	6	22.5	0.8	<b>0.82</b>	31.5	19.5	10.8	27.5	0.8
<b>0.33</b>	26.5	16.5	7	22.5	0.8	<b>1</b>	26	20	11	22.5	0.8
<b>0.33</b>	26.5	17	8.5	22.5	0.8	<b>1</b>	26	21.5	12	22.5	0.8
<b>0.39</b>	18	14.5	8.5	15	0.8	<b>1</b>	26.5	19	10	22.5	0.8
<b>0.39</b>	18	15.5	9.5	15	0.8	<b>1</b>	31.5	19.5	10.8	27.5	0.8
<b>0.39</b>	18	16	10	15	0.8	<b>1</b>	31.5	21.6	13	27.5	0.8
<b>0.39</b>	18	16.5	8.4	15	0.8	<b>1.2</b>	26	20	11	22.5	0.8
<b>0.39</b>	18	19	11	15	0.8	<b>1.2</b>	26	21.5	12	22.5	0.8
<b>0.39</b>	26.5	15	6	22.5	0.8	<b>1.2</b>	26.5	19	10	22.5	0.8
<b>0.39</b>	26.5	16.5	7	22.5	0.8	<b>1.2</b>	31.5	19.5	10.8	27.5	0.8
<b>0.39</b>	26.5	17	8.5	22.5	0.8	<b>1.2</b>	31.5	21.6	13	27.5	0.8
<b>0.41</b>	26.5	17	8.5	22.5	0.8	<b>1.5</b>	26	21.5	12	22.5	0.8
<b>0.47</b>	18	13.5	7.5	15	0.8	<b>1.5</b>	31	25	14	27.5	0.8
<b>0.47</b>	18	14.5	8.5	15	0.8	<b>1.5</b>	31.5	19.5	10.8	27.5	0.8
<b>0.47</b>	18	15.5	9.5	15	0.8	<b>1.5</b>	31.5	21.6	13	27.5	0.8
<b>0.47</b>	18	16	10	15	0.8	<b>1.8</b>	31	25	14	27.5	0.8
<b>0.47</b>	18	19	11	15	0.8	<b>1.8</b>	31.5	21.6	13	27.5	0.8
<b>0.47</b>	26	21.5	12	22.5	0.8	<b>2.2</b>	31	25	14	27.5	0.8
<b>0.47</b>	26.5	15	6	22.5	0.8	<b>2.2</b>	32	25.5	16	27.5	0.8
<b>0.47</b>	26.5	16.5	7	22.5	0.8	<b>2.2</b>	32	28	18	27.5	0.8
<b>0.47</b>	26.5	17	8.5	22.5	0.8	<b>2.2</b>	42	28	14	37.5	0.8
<b>0.47</b>	26.5	19	10	22.5	0.8	<b>2.7</b>	31	25	14	27.5	0.8
<b>0.47</b>	31.5	19.5	10.8	27.5	0.8	<b>2.7</b>	32	25.5	16	27.5	0.8
<b>0.56</b>	18	16	10	15	0.8	<b>2.7</b>	32	28	18	27.5	0.8
<b>0.56</b>	18	19	11	15	0.8	<b>2.7</b>	42	28	14	37.5	0.8
<b>0.56</b>	26.5	16.5	7	22.5	0.8	<b>2.8</b>	32	25.5	16	27.5	0.8
<b>0.56</b>	26.5	17	8.5	22.5	0.8	<b>3.3</b>	32	28	18	27.5	0.8
<b>0.56</b>	26.5	19	10	22.5	0.8	<b>3.3</b>	41	32	17	37.5	0.8
<b>0.56</b>	31.5	19.5	10.8	27.5	0.8	<b>3.9</b>	41	32	17	37.5	0.8
<b>0.68</b>	18	19	11	15	0.8	<b>4.7</b>	32	37	22	27.5	0.8
<b>0.68</b>	26.5	17	8.5	22.5	0.8	<b>4.7</b>	41	33.5	18.5	37.5	0.8
<b>0.68</b>	26.5	19	10	22.5	0.8	<b>5.6</b>	41	37	22	37.5	0.8
<b>0.68</b>	31	25	14	27.5	0.8	<b>6.8</b>	41	37	22	37.5	0.8
<b>0.68</b>	31.5	19.5	10.8	27.5	0.8	<b>8.2</b>	41	41	26	37.5	0.8
<b>0.82</b>	26.5	19	10	22.5	0.8	<b>10</b>	41	43	28	37.5	0.8

**Note: Other Values are available on request. WEET is capable of doing custom service for you.**



**WEE Technology Company Limited**  
ROOM 1405, 14/F, LUCKY CENTRE,  
171 WANCHAI ROAD,  
WANCHAI, HONG KONG  
[www.weetcap.com](http://www.weetcap.com)  
[info@weetcap.com](mailto:info@weetcap.com)

All details in this data sheet are subject to change without notice.  
For more details and updates, please visit our website.

Copyright © 2000 WEE Technology, All rights reserved.

